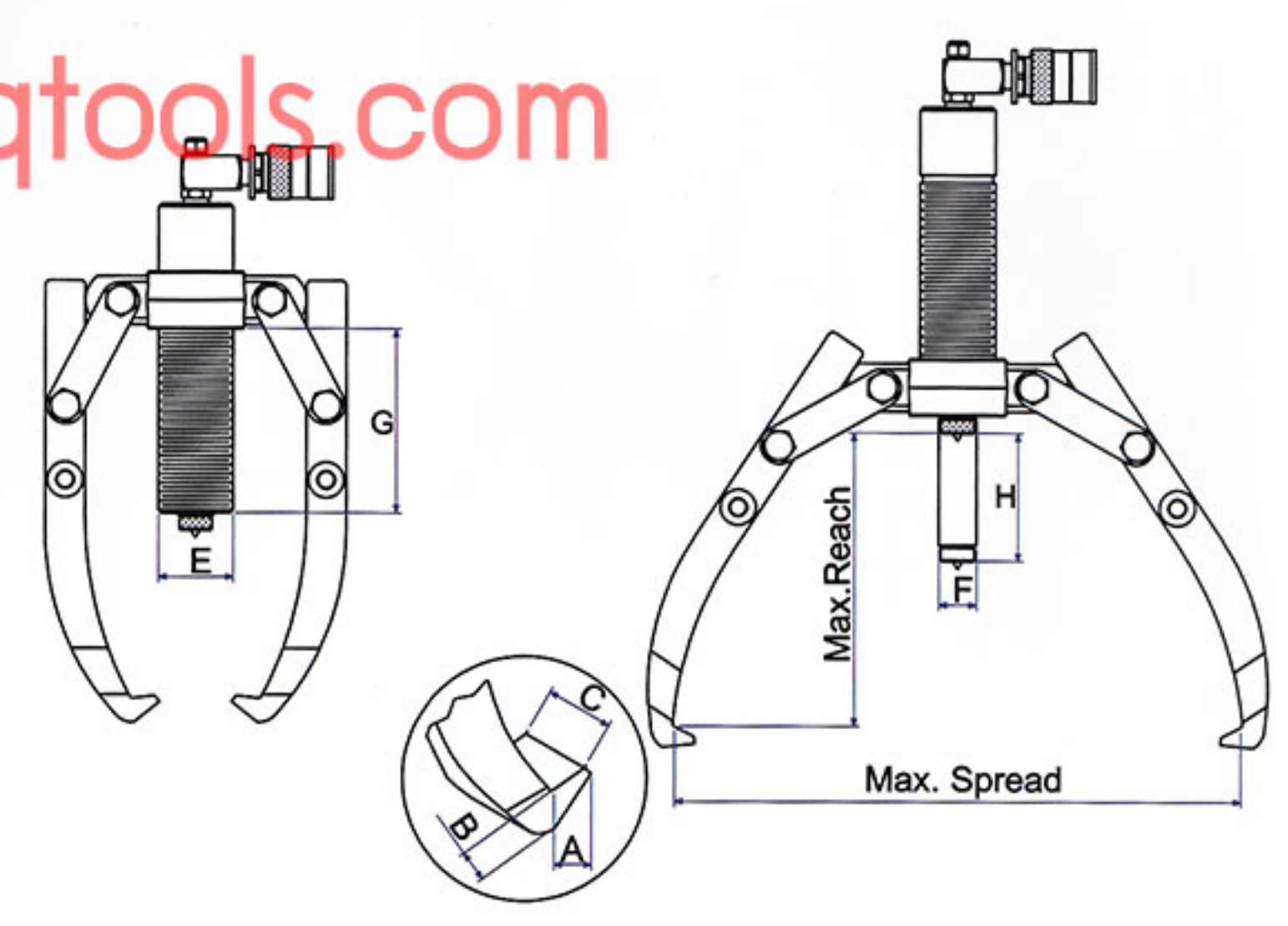


# POWERBRAM SEPARATE HYDRAULIC PULLERS-PACKAGE MODELS

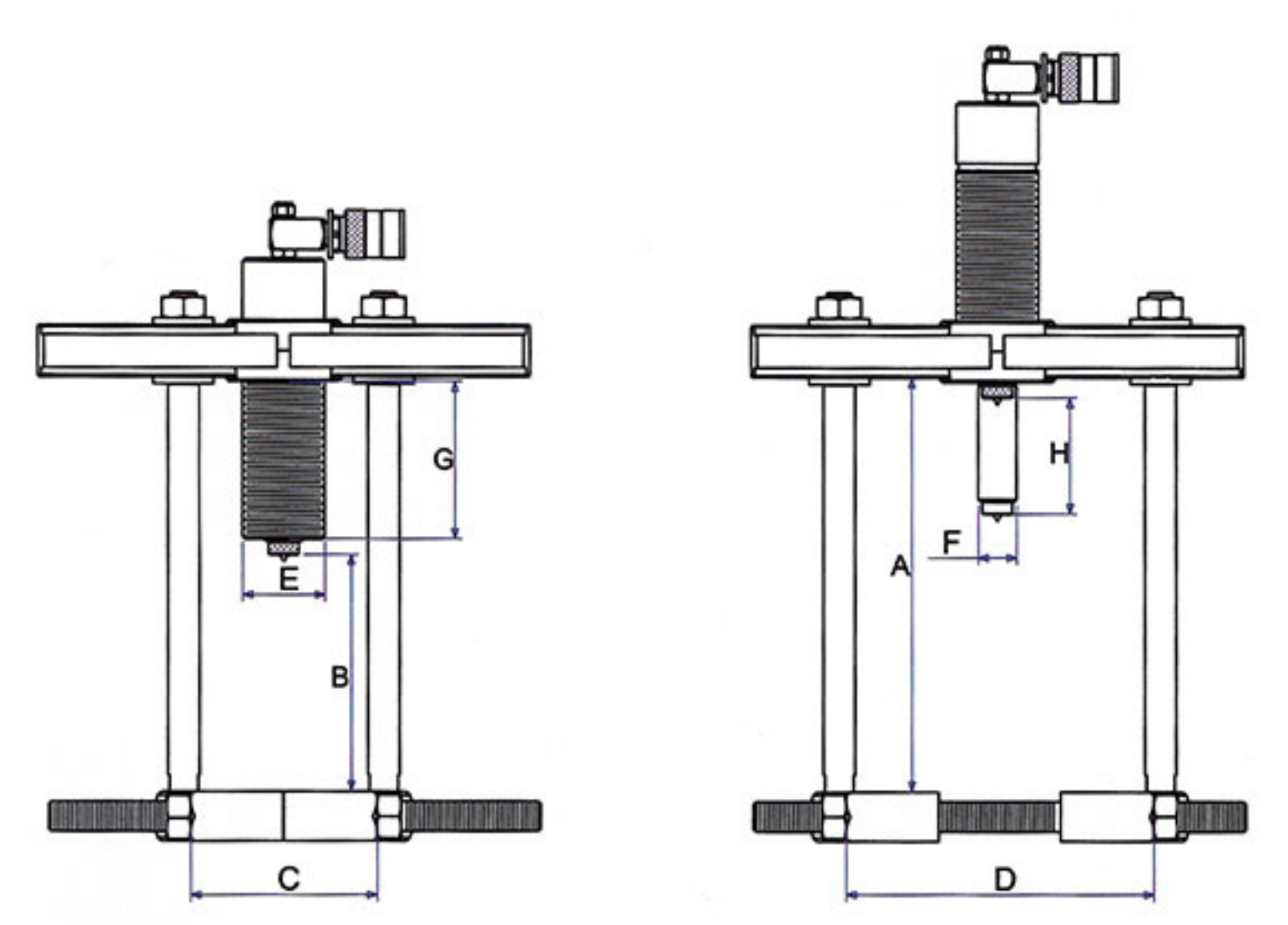


[www.tpqtools.com](http://www.tpqtools.com)



## FEATURES:

- Heat treated & chrome plated hydraulic cylinder rod provides linear force.
- Easily release valve.
- Spring loaded live centering nut for easy job (removable).
- 2 jaws puller cross head with manganous-phoosphate plated for rust proof and durability.
- Heat treated,chrome plated & alloy steel stud for rust proof and free reach.
- Impact set including available size of bearing attachment for great and safety job.



## TECHNICAL DATA

Capacity	Model No.	Reach (Max. mm)	Spread (Max. mm)		Stroke (mm)	Pump Tip (mm)			Jaw Tip (mm)			Weight (kg)
			C	D		E	F	G	A	B	C	
4 Ton	PR420	185/250	55	225/110	60	42	22	84	11	6	22	4.5/8.5
8 Ton	PR820	230/270	95	350/220	85	50	25	122	11	10	25	6.5/12.6
12 Ton	PR1220	270/380	225	375/290	85	60	28	118	14	10	29	8.0/18.0